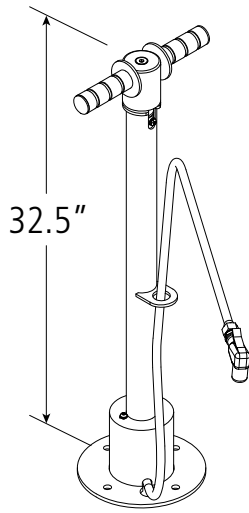
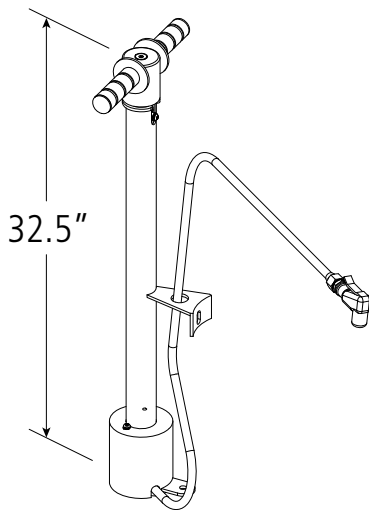


AIR KIT 2

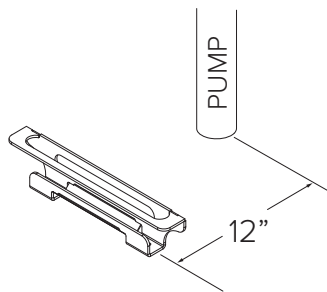
Submittal Sheet



Surface Mount



Fixit Mount



An optional wheel catch is also available to hold bikes with no kick stands

MATERIALS

Main Body: 1.5" schedule 40 pipe
Manual air pump: Dero made
Foot: 1/4" steel

FINISHES

- Galvanized**
An after fabrication hot dipped galvanized finish is our standard option. 250 TGIC powder coat colors, thermoplastic coating, PVC dip, and stainless steel finishes are also available as alternate options.
- Powder Coat**
Our powder coat finish assures a high level of adhesion and durability by following these steps:
 1. Sandblast
 2. Epoxy primer electrostatically applied
 3. Final thick TGIC polyester powder coat

Stainless

Stainless Steel: 304 grade stainless steel material finished in either a high polished shine or a satin finish.

MOUNT OPTIONS

- Surface**
Surface Mount has 10" diameter x .25" flange with four anchoring holes for mounting with standard wedge anchors.
- Fixit**
Air Kit 2 mounts to side of Fixit bike repair station



DERO
A PLAYCORE Company

