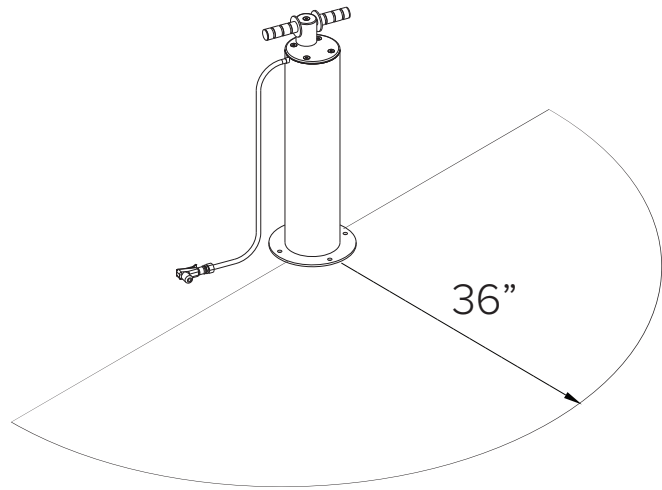


AIR KIT 3

Setbacks

The Air Kit 3 should be installed at least 36" away from any obstructions.



DERO
A PLAYCORE Company



© 2018 Dero



AIR KIT 3

Installation Instructions – Surface Mount

TOOLS NEEDED

Marker or Pencil
Masonry Drill Bit 3/8"
Drill (Hammer drill recommended)
Hammer
Wrench 9/16"
Level

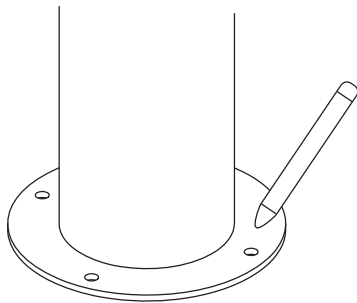
RECOMMENDED BASE MATERIAL

Solid concrete is the best base material for installation. To ensure the proper anchors are shipped with your Air Kit, ask your Dero representative which anchor is appropriate for your application. Be sure nothing is underneath the base material that could be damaged by drilling.



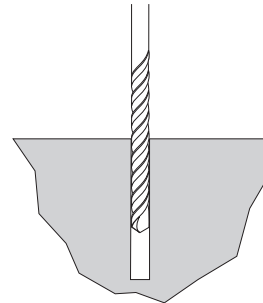
Be sure to save your tamper-resistant tools for any future maintenance. They are costly to replace.

1



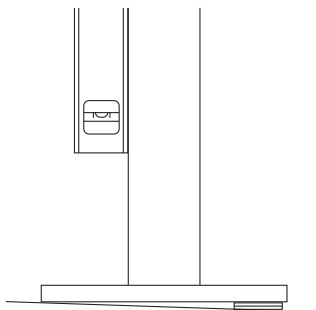
Place the Air Kit 3 in the desired location. Use a marker or pencil to outline the holes of the flange onto the base material.

2



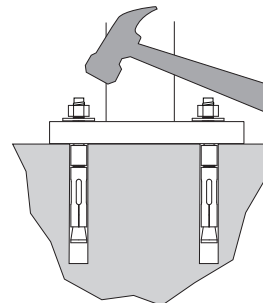
Drill 3/8" diameter holes 3" deep into surface. Make sure the holes are at least 3" away from any cracks in the base material.

3



Use washers to level pump if necessary.

4



Thread nuts onto anchors, leaving approximately 1/4" of the anchor protruding, and tap into surface. **Place the 2 provided tamper-proof penta nuts on opposite sides.** Tighten nuts down to secure pump.



DERO
A PLAYCORE Company



www.trafficzone.com
www.parkingzone.com
800-292-7275

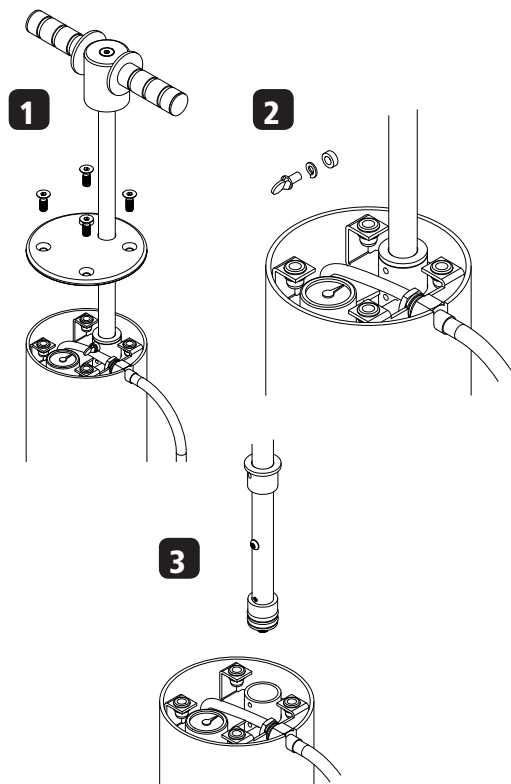
AIR KIT 3

Maintenance and Repair Instructions

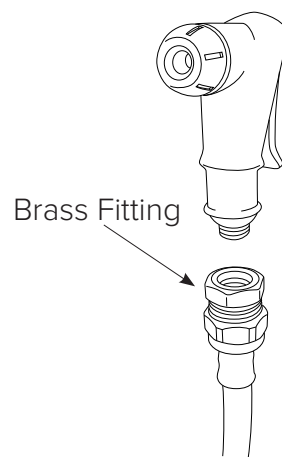
Note: All threads for all parts of the pump are right-hand threads. They tighten clockwise, and loosen counter-clockwise (“righty tighty, lefty loosey”). However, when you are looking top-down at a bolt that threads from underneath, if you move it counter-clockwise from your point of view, you are actually tightening, not loosening, the nut! This has led to some unnecessary breakage of pump parts. Be sure you are looking at the nut with the proper orientation before tightening or loosening.

AIR KIT 3 MAINTENANCE

- 1** Remove tamper-resistant screws and lift polycarbonate top and metal gauge plate.
- 2** Remove thumb-screw, lock washer and spacer
- 3** Plunger assembly may now be pulled out. To replace gaskets, pry old gaskets off and clean piston. Apply new silicone grease and install new gaskets. Apply more silicone grease to new gaskets. Re-assemble and wipe off excess grease when done.



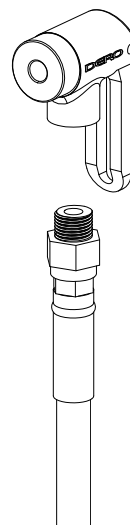
CHANGING PLASTIC PUMP HEAD



Remove the red heat-shrink covering the base of the pump head. Unscrew the pump head from the brass fitting (turning counter-clockwise). You will need to keep the brass fitting for the new pumphead. Replace the pump head.

If you will be replacing the heat-shrink, then put the heat-shrink sleeve over the hose before replacing pumphead. Once pump head is on, pull heat-shrink sleeve over the brass fitting and use a heatgun to shrink it.

CHANGING METAL HEAD™



Remove Metal Head™ by turning counter-clockwise. You will need a 3/4" wrench. Replace with new Metal Head and tighten.

If you are replacing a plastic pump head with a Metal Head, you will need to also purchase a replacement hose.



DERO
A PLAYCORE Company



www.trafficzone.com
www.parkingzone.com
800-292-7275