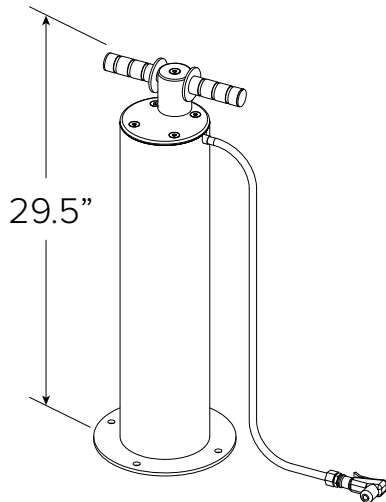


AIR KIT 3

Submittal Sheet



Surface Mount

MATERIALS

Main Body: 6" tube
Top: 1/4" polycarbonate
Manual air pump: Dero made, max 160psi
Foot: 1/4" steel

FINISHES



Galvanized

An after fabrication hot dipped galvanized finish is our standard option.



Powder Coat

Our powder coat finish assures a high level of adhesion and durability by following these steps:

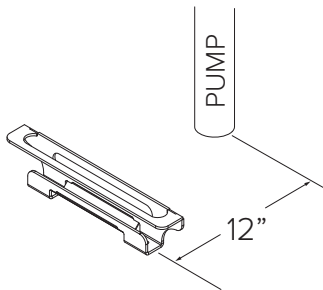
1. Sandblast
2. Epoxy primer electrostatically applied
3. Final thick TGIC polyester powder coat

MOUNT OPTIONS



Surface

Surface Mount has 10" diameter x .25" flange with four anchoring holes for mounting with standard wedge anchors.



An optional Pump Stop is also available to hold bikes with no kick stands



DERO
A PLAYCORE Company

